

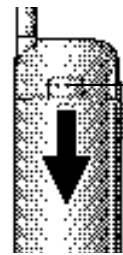
## 3. Installation

---

### 3-1 Installing a Battery Pack

---

1. To attach the battery pack after charging, align it with the phone about 1cm (1/2") away from its place so that the two arrows on the phone are seen, the battery charge contacts pointing downward.
2. Slide the battery pack upwards until it clicks firmly into position. The phone is now ready to be turned on.
3. To remove the battery pack, release it by pressing the button on the rear of the phone.
4. Slide the battery pack downward about 1cm (1/2") and lift it away from the phone.



Press this button to release the battery pack

### 3-2 For Desk Top Use

---

1. Choose a proper location to install the charger for desk top use.
2. Plug the power cord of the charger into an appropriate wall socket. When the power is connected correctly, the lamps turn on briefly.
3. To charge the battery pack, insert the battery pack into the rear slot of the charger. The lamp marked BAT on the front panel of the charger lights up red.
4. If you do not wish to use the phone while charging the battery, insert the phone with the battery pack attached into the front slot of the charger. The lamp marked PHONE on the front panel of the charger lights up red.

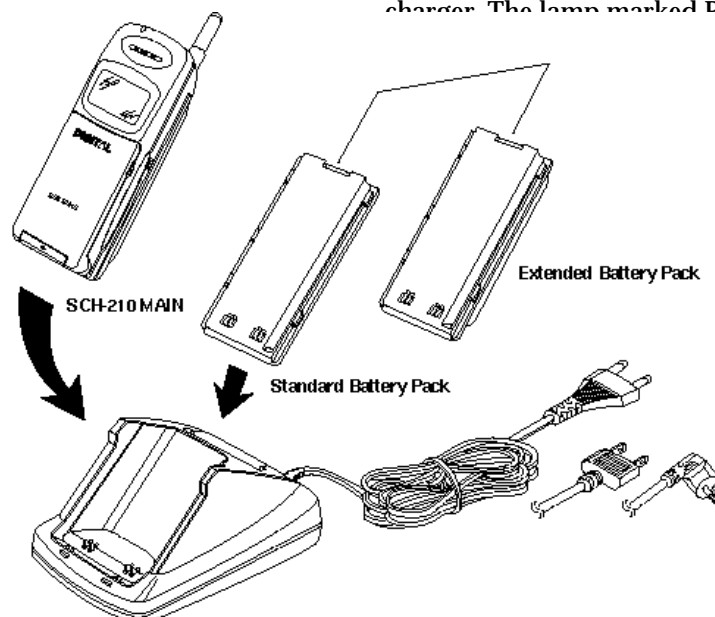


Figure 3-1 Charging the Phone and Battery

Item	Model Name	Service Part#
Desk Top Rapid Charger	DTC58	GH44-40034A
Standard Battery Pack	BTL850SB	GH43-10104A
Extended Battery Pack	BTL1350EB	GH43-10103A

## SPECIFICATIONS USING " DTC 58 "

Product	Charging time (hours)	Stand by time (hours)		Talking time (min)	
		Digital	Analog	Digital	Analog
Standard Battery Pack (Li-ion: 800mAh)	2 ~ 3	50 ~ 55	10 ~ 12	150	100
Extendard Battery Pack (Li-ion: 1350mAh)	2.5 ~ 3.5	85 ~ 90	16 ~ 18	250	170

### 3-3 For Mobile Mount

---

#### 3-3-1 Antenna

- Choose a proper location to install the antenna.
  - The center of the roof top provides the best performance.
  - The edge of the rear trunk also provides a good performance. However, the antenna should be higher than the roof of the car.
  - In case of on-glass antenna, you should align the antenna base with the round plate to connect the cables correctly.
- Mount the antenna vertically, connect the antenna cable.
- Tighten the antenna nut fully.

### 3-3-2 Cradle

1. Choose a location where it is easy to reach and does not interfere with the driver's safe operation of the car.
2. Separate the two halves of the clamshell by removing the two large slotted screws. See the figure 3-2.
3. Drill holes and mount the lower half of the clamshell by using the screws.
4. Place the cradle onto the remaining half of the clamshell and assemble them by using the screws.
5. Reassemble the two halves of the clamshell together. Adjust the mounting angle and tighten the two slotted screws.

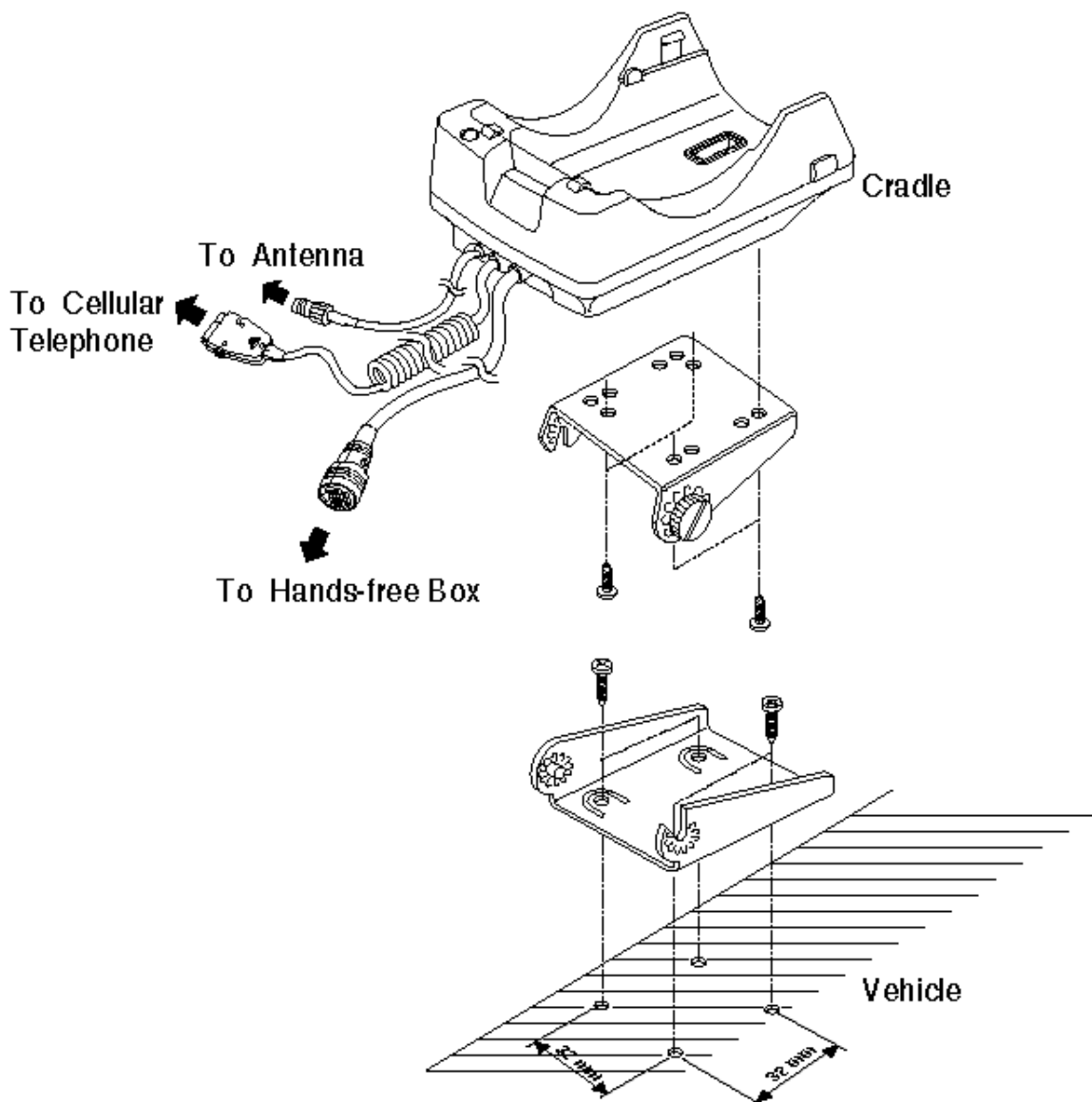


Figure 3-2 Cradle Installation

### 3-3-3 Hands-Free Box

1. Drill holes in a proper location for the hands-free box, attach the mounting bracket by using the screws. See the figure 3-3.
2. Install the hands-free box into the bracket.

### 3-3-4 Hands-Free Microphone

1. It is recommended to install the microphone where it is 30-45 cm (12-18") away from the driver. Choose the location where is least susceptible to interference caused by external noise sources, ie, adjacent windows, radio speakers, etc. Normal place is the sun visor.
2. Once the microphone has been correctly positioned, connect the microphone wire to the MIC jack on the hands-free box.

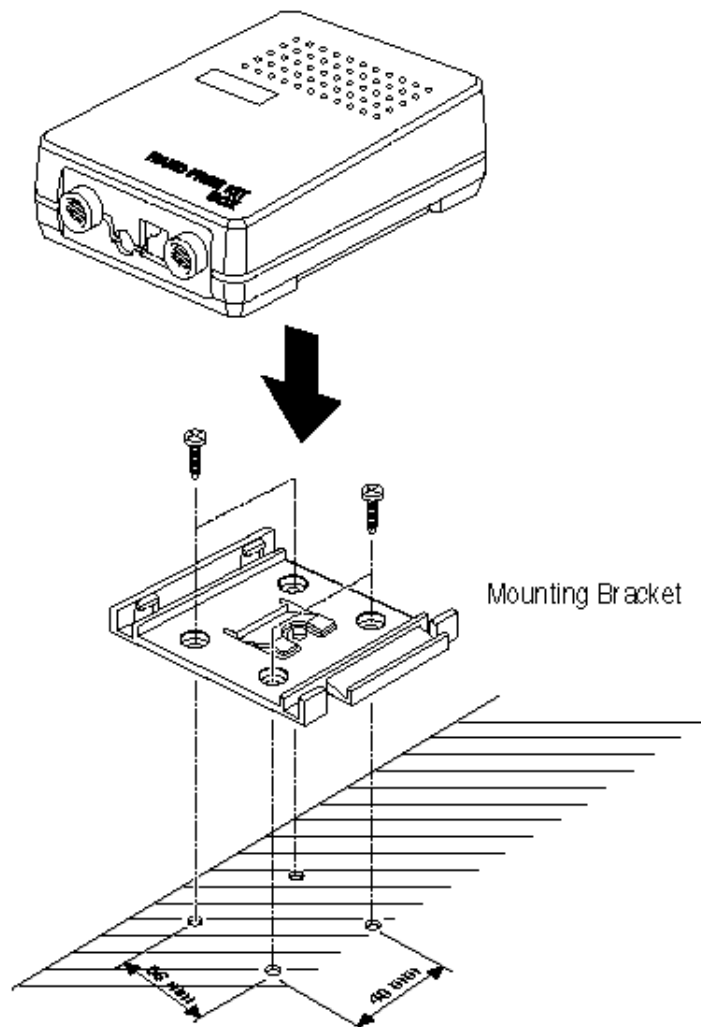


Figure 3-3 Hands-Free Box Installation

### 3-3-5 Cables

1. Connect the cradle and the hands-free box with the data cable. See the figure 3-4.
2. Connect the antenna cable to the **RF** jack of the cradle.
3. Connect the power cable as follows:  
Connect the red wire to the battery (+) terminal, black wire to the battery (-) terminal. Then connect the orange wire to the switched side of the ignition switch, and then connect the brown wire to the stereo mute wire from your vehicle stereo.
4. Connect the other end of the power cable to the **PWR** jack of the hands-free box.

#### Notes:

- It is recommended to connect the power cable directly to the battery to avoid power noise.
- Make sure the connection, in the vehicle, between the battery (-) terminal and vehicle chassis is made correctly.
- Make sure the fuse having a proper capacity is used on the power cable.
- Make sure the cables do not pass over any sharp metal edge that may damage it.

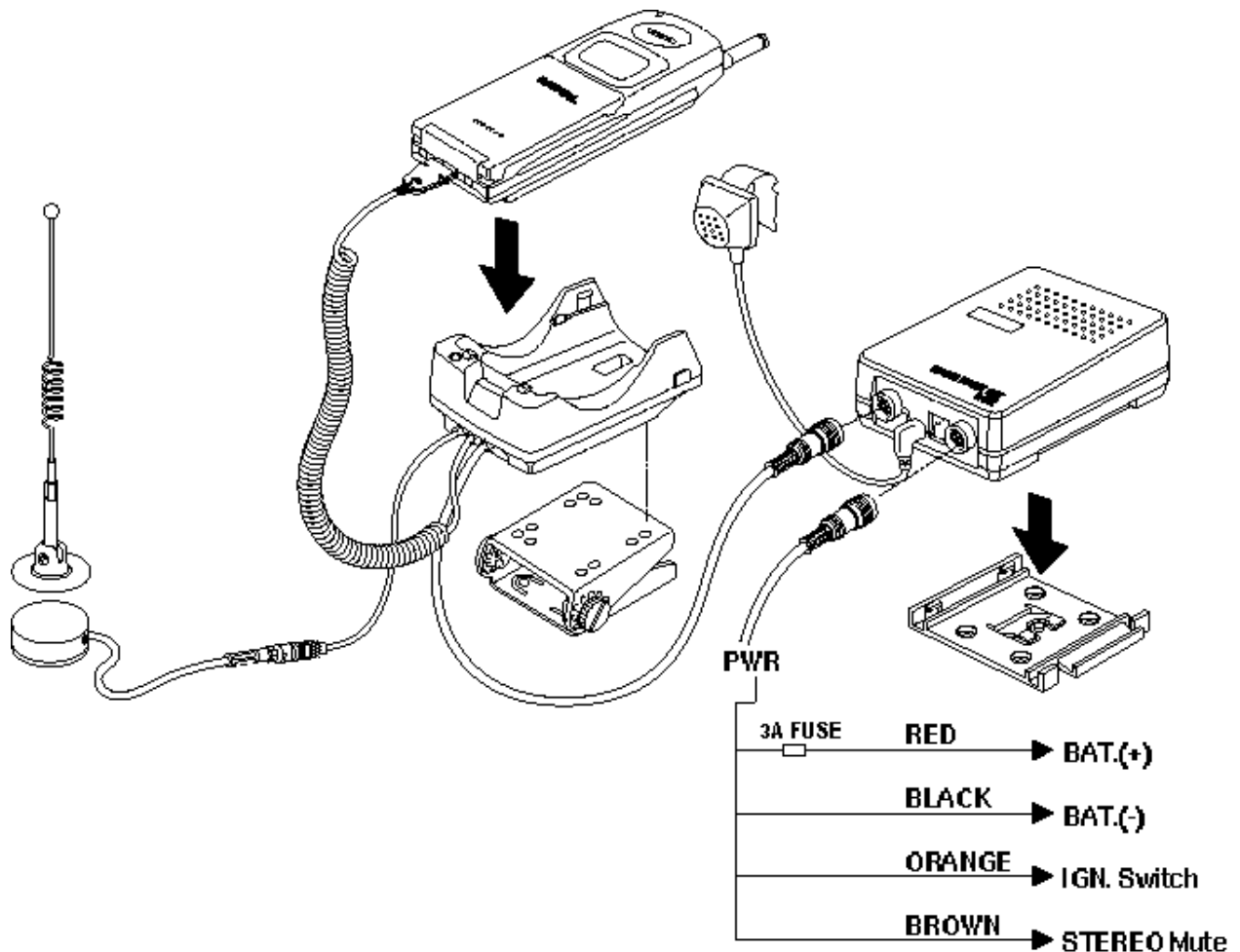


Figure 3-4 Cable Connections

# MEMO